

VACCUME FILTER NOTE COUNTING

Kushako

Vaccume Filter Note counting details :

Application :

This product aims at eliminating drop of water and solid foreign matter in the air line for vaccum.

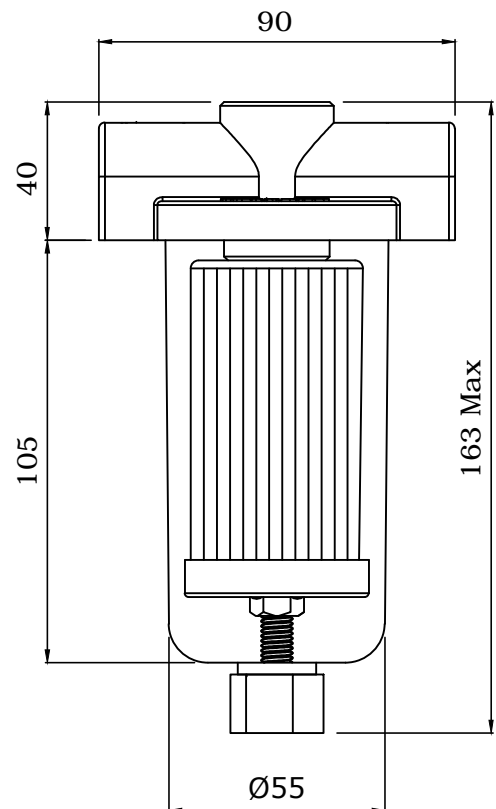
Caution :

Do not use the product under pressure except momentary pressure (0.3 MPa or less) such as pressure release .



Technical Specifications:

Model	VF - 2016
Port Size	G1/4 BSP (F)
Medium	Air , Vaccume
Ambient / Medium temperature	5° - 60° C (with no freezing)
Filtration (μm)	100
Proof pressure	0.5
Vaccum release pressure (MPa)	0.3 or less
Bowl material	Polycarbonate
Installation	Vertical
Materials of construction	Aluminum , Nitrile , Polycarbonate
Weight (Kg)	0.270



Manufactured by :

Kushako India

Office : 490, Narayan Peth, Opp. Pune Marathi Granthalaya, Pune - 411030. (Maharashtra), Website : www.kushakoindia.com

Works : Sr.No. 25/1A, Village Nanded, Sinhgad Road, Tal - Haveli, Dist. Pune -411041

Tel. No : 901169077 / 7620674777

E-mail : kushako.india@gmail.com / kushakoindia1992@gmail.com

Kushako